



! " # \$ % & ' () * + , -

SHENZHEN CGX OPTOELECTRONIC TECHNOLOGY, INC..

样品规格承认书

SAMPLE APPROVAL SHEET

客户名称

Company Name : _____

产品型号

Part Number: **CRM-383YM2-M-20**

送样日期

Sample Date: _____

APPROVED	SIGNATURES. / 0 1 2 3 4	
核准	56	工程

7823 : □ 95 : 3 □ ; < : 3 = > ? @ 9 □ ; < : 3 ; = @ 9

78ABC _____

APPROVED	SIGNATURES. 7 8 2 3 4	
核准	工程	56

Add : 深圳市 DE ? F G H I J K L G M & N B O

TELC 86-755-66631006 FAXC 86-755-61899639

E-mail: szcgx@szcgx.com

Http: www.szcgx.com

INFRARED RECEIVER MODULE

CRM-383YM2-M-20

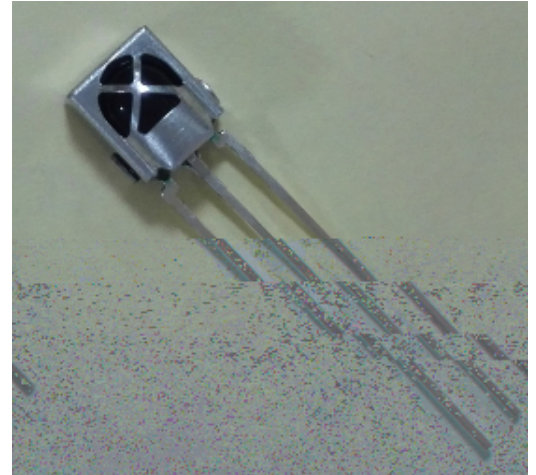
Description

The CRM-383YM2*** is miniaturized infrared receivers for remote control and other applications requiring improved ambient light rejection.

The separate PIN diode and preamplifier IC are assembled on a single leadframe.

The epoxy package contains a special IR filter.

This module has excellent performance even in disturbed ambient light applications and provides protection against uncontrolled output pulses.



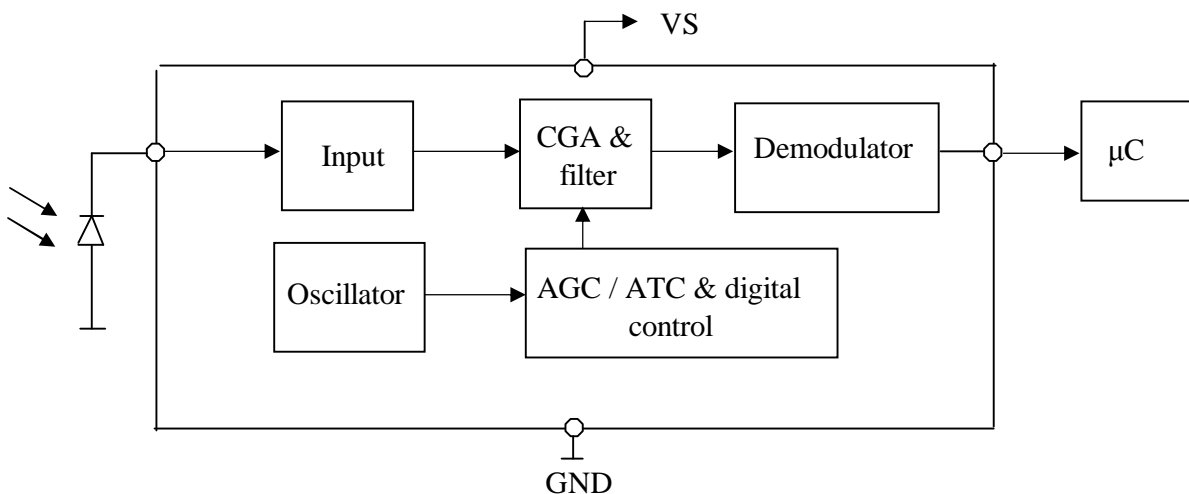
Features

- | Photo detector and preamplifier in one package
- | Internal filter for PCM frequency
- | High immunity against ambient light
- | Improved shielding against electric field disturbance
- | 3.0-Volt supply voltage; low power consumption
- | TTL and CMOS compatibility

Applications

It can be used for TVs, VTRs, audio equipment air conditioners, car stereo radio, toys, home computers and all other equipment requiring remote control.

BLOCK DIAGRAM



INFRARED RECEIVER MODULE

CRM-383YM2-M-20

Absolute Maximum Ratings

@ Ta=25°C

Item	Symbol	Ratings	Unit	Remark
Supply voltage	V _{CC}	0 ~ 6.0	V	
Operating temperature	T _{opr}	-20 ~ + 80	°C	
Storage temperature	T _{stg}	-25 ~ + 85	°C	
Soldering temperature	T _{sd}	260	°C	Maximum 5 seconds

Electro-optical characteristics (V_{CC}=3.0V)

@ Ta=25°C

Parameter	Symbol	Min.	Typ.	Max.	Unit	Remarks
Supply Voltage	V _S	2.7		5.5	V	
Current consumption	I _{CC}		0.8	2.0	mA	Under no signal
Response wavelength	λ _p		940		nm	
B.P.F Center Frequency	f _o		38		KHz	
Output form	----- active low output -----					
H level output voltage	V _{oh}	2.8	3.0		V	
L level output voltage	V _{ol}		0.2	0.4	V	
H level output pulse width	T _{wh}	400		800	μs	
L level output pulse width	T _{wl}	400		800	μs	
Distance between emitter & detector	L ₁	12			m	Note 1
Half angle	Φ _h		±45		deg	Horizontal direction

Test Method

A. Standard Transmitter

ON/OFF pulse width satisfied from 25 cm to detection limit

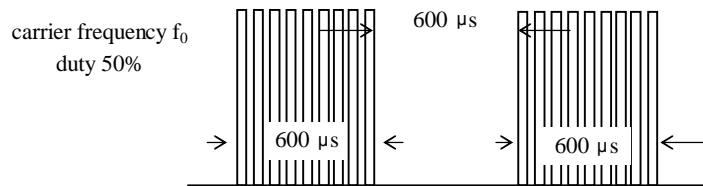


Fig 1. Burst Wave

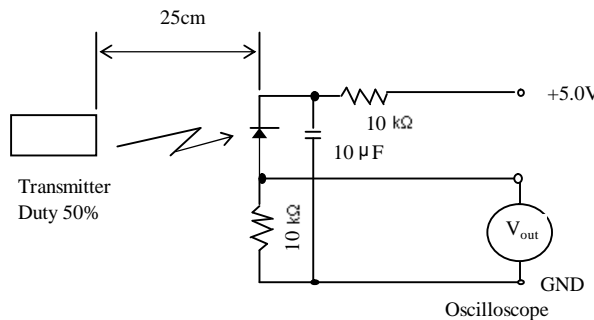
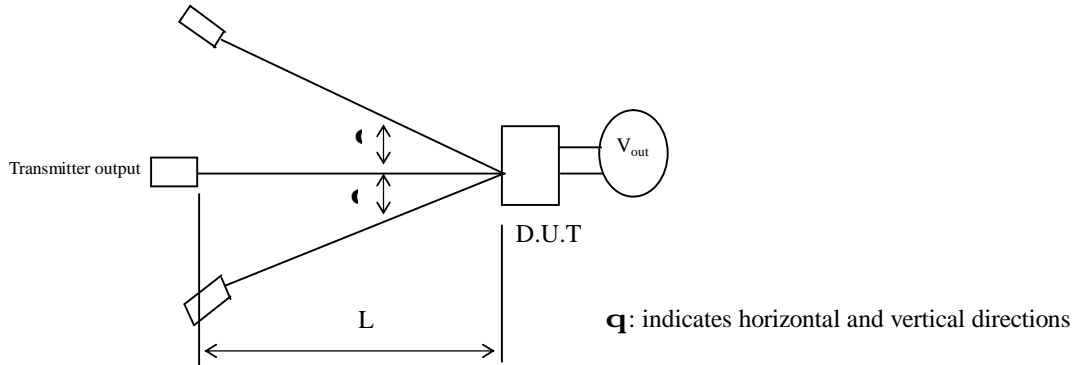


Fig 2. Standard Transmitter Measurement circuit

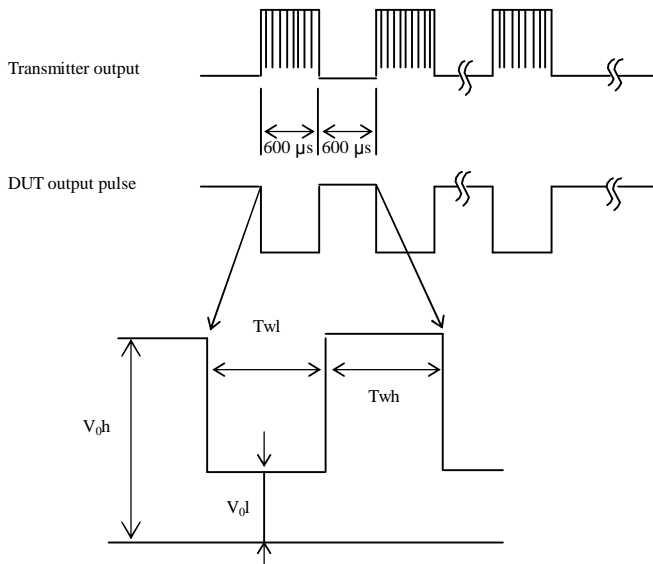
INFRARED RECEIVER MODULE

CRM-383YM2-M-20

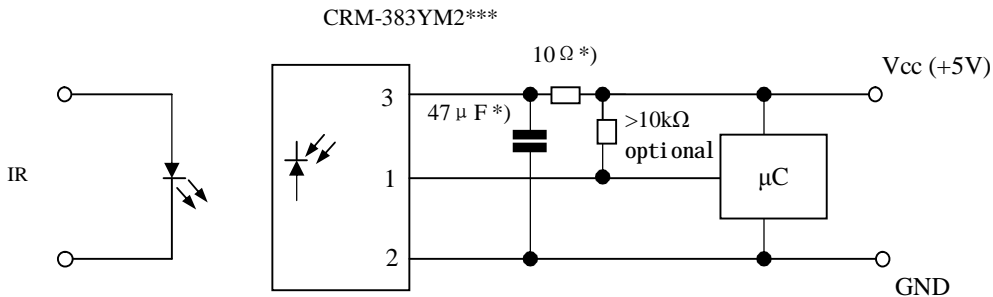
B. Detection Length Test



C. Pulse Width Test



Application Circuit



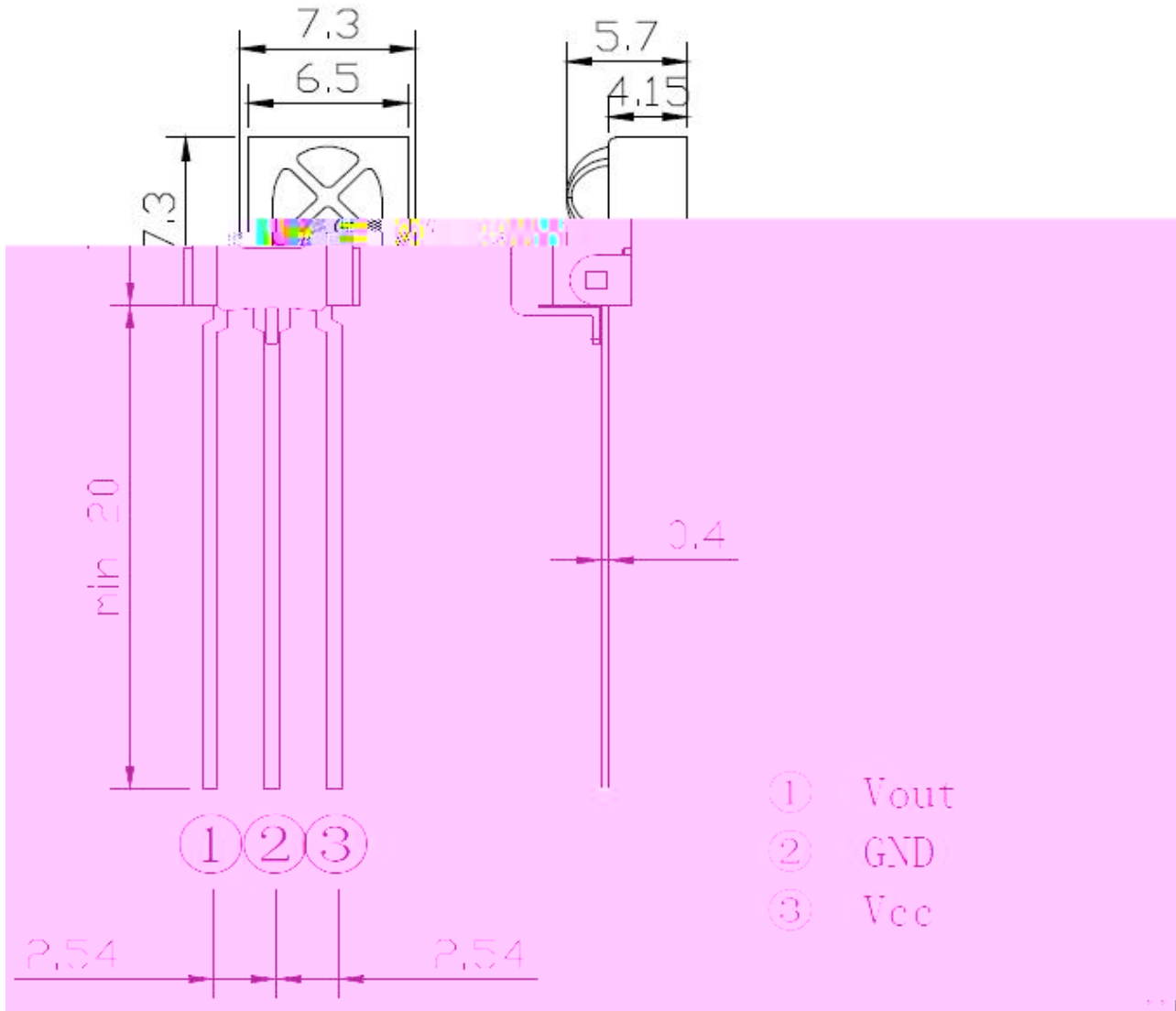
*) recommended to suppress power supply disturbances



INFRARED RECEIVER MODULE

CRM-383YM2-M-20

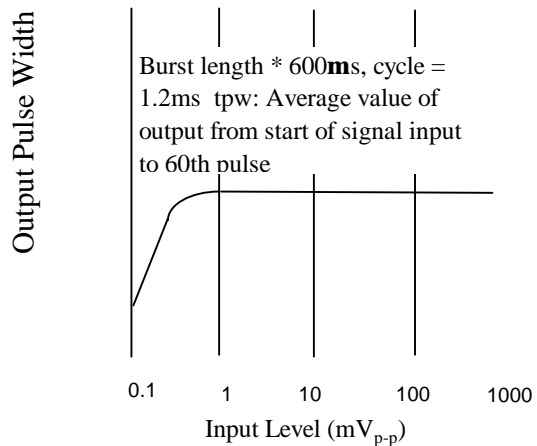
Dimensions in mm



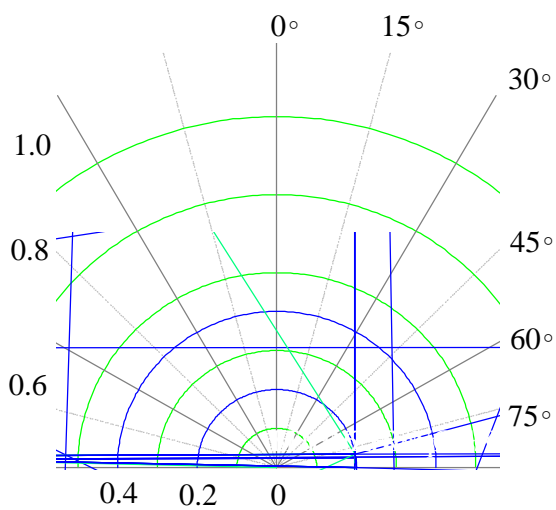
NOTES:

- 1.All dimensions are in millimeters .
- 2.Tolerance is ± 0.40 mm unless otherwise specified.
- 3.Specifications are subject to change without notice.

CHARACTERISTIC CURVES ($T_A=25^{\circ}\text{C}$)



INPUT LEVEL vs. OUTPUT PULSE WIDTH





INFRARED RECEIVER MODULE

CRM-383YM2-M-20

Reliability

Test item	Test condition	Standard
High temperature	Ta=+80°C t=48H	Note 2.
Life Test	Vcc=5V t=500H	Note 2.
Low temperature	Ta= -30°C t=48H	Note 2.
Temperature cycle	-35°C(0.5H) ~ +85°C(0.5H) 20cycle	Note 2.
Dropping	Test devices shall be dropped 3 times naturally onto hard wooden board from a 75cm height position.	Note 2.
Soldering ability test	Ta=260°C t=5s	Note 3.

NOTE 1. Distance between emitter & detector specifies maximum distance that output wave form satisfies the standard under the conditions below against the standard transmitter .

- 1)Measuring place : Indoor without extreme reflection of light .
- 2)Ambient light source: Detecting surface illumination shall be 200±50Lux under ordinary hite fluorescense lamp of no high frequency lighting.
- 3)Standard transmitter: burst wave indicated in Fig1.of standard transmitter shall be arranged to 50mVp-p under the measuring circuit specified in Fig2.

NOTE 2. (electro-optical characteristics) shall be satisfied after leaving 1 hours in the normal temperature .

NOTE 3. (electro-optical characteristics) shall be satisfied and 90% or more of the solder area is covered with solder.

Inspection standard

- 1.Among electrical characteristics , total number shall be inspected on items blow.
 - 1-1 front distance between emitter & detector
 - 1-2 Current consumption
 - 1-3 H level output voltage
 - 1-4 L level output voltage
- 2.Items except above mentioned are not inspected particularly , but shall fully satisfy

CAUTION (When use and storage of this device)

- 1.Store and use where there is no force causing transformation or change in quality .
- 2.Store and use where there is no corrosive gas or sea(salt) breeze .
- 3.Store and use where there is no extreme humidity .
- 4.Solder the lead-pin within the condition of ratings. After soldering do not add extra force .
- 5.Do not wash this device . Wipe the stains of diode side with a soft cloth. You can use the solvent , ethylalcohol or methylalcohol or isupropylene only .
- 6.To prevent static electricity damage to the Pre-AMP make sure that the human body , the soldering iron is connected to ground before using .
- 7.Put decoupling device between Vcc and GND for reduce the noise from power supply line .
- 8.The performance of remote-control system depends on environments condition and ability of periferal parts. Customer should evaluate the performance as total system in those conditions after system up with components such as commander , micon and this receiver module .

Others

- 1.This device is not design to endure radiative rays and heavily charged particles .
- 2.In case where any trouble or questions arise,both parties agres to make full discussion covering the said problem .